

N.38250m
E.32775m

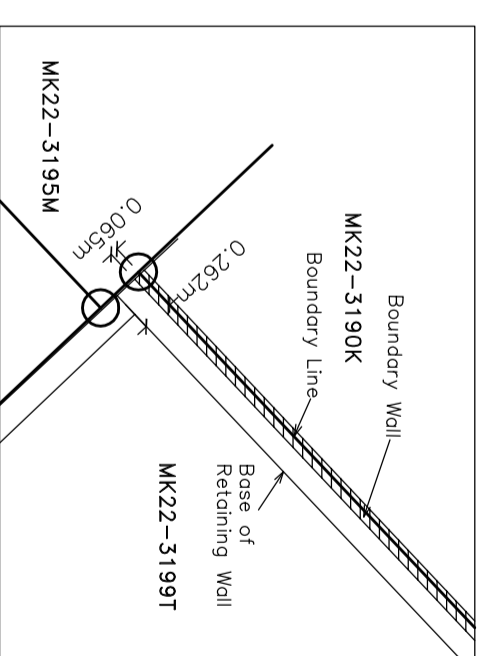
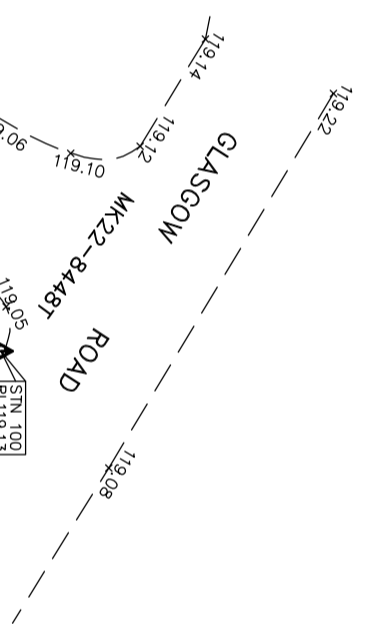


Diagram A (NOT TO SCALE)

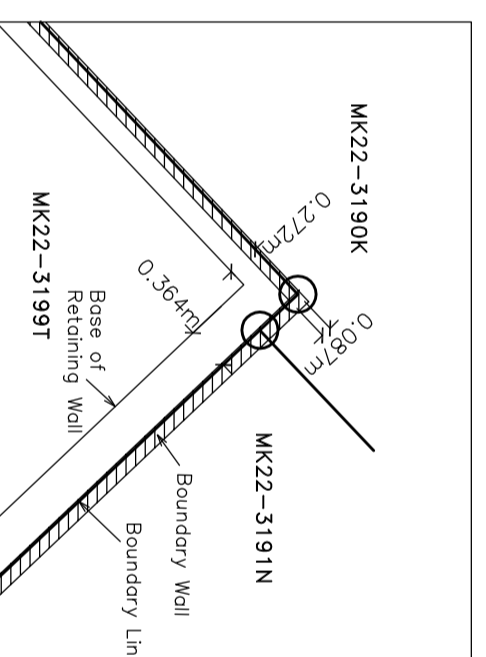


Diagram B (NOT TO SCALE)

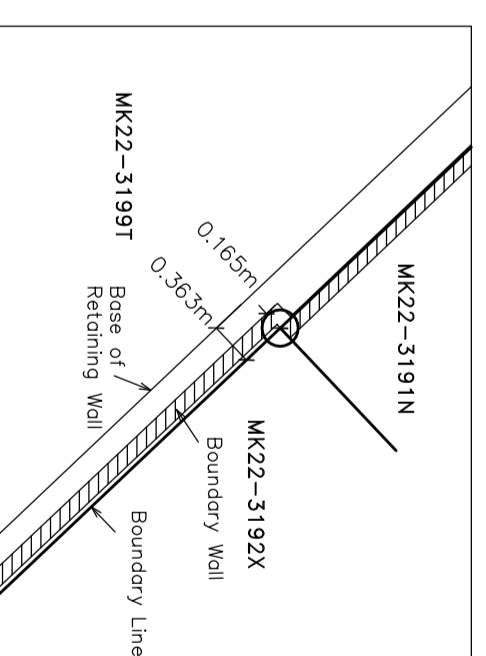


Diagram C (NOT TO SCALE)

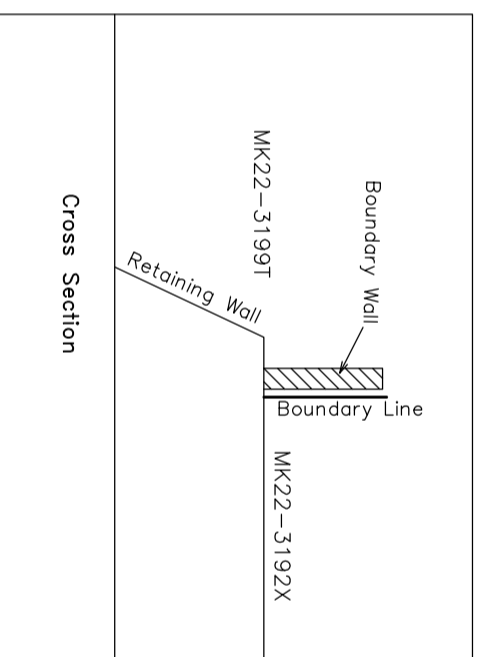


Diagram E (NOT TO SCALE)

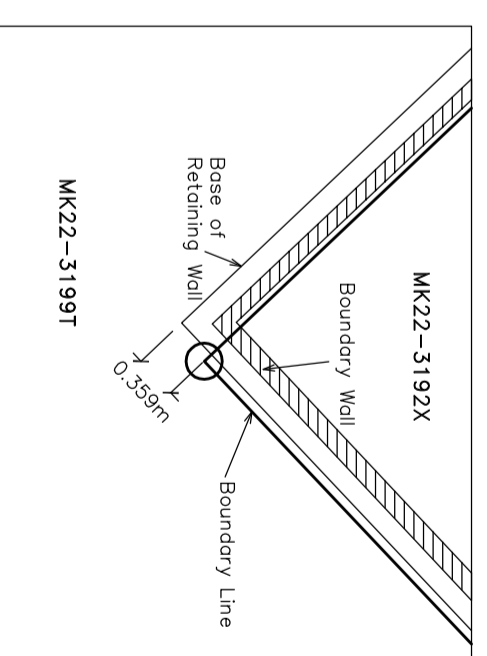
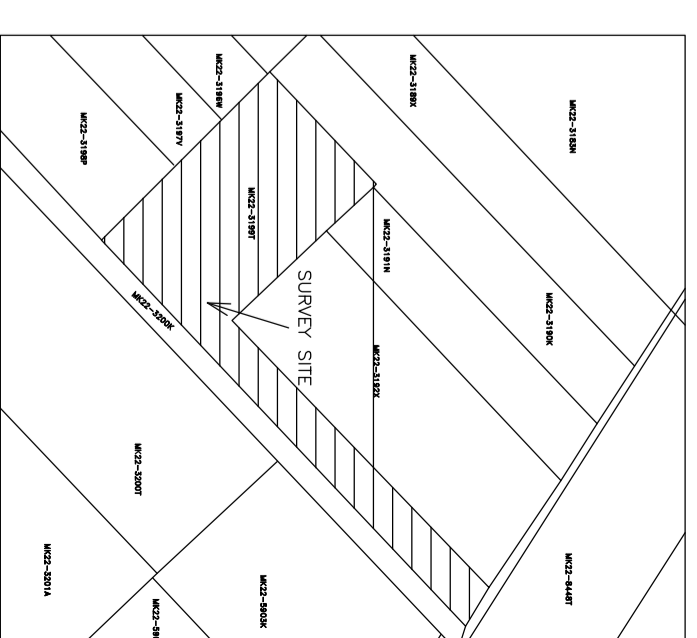


Diagram D (NOT TO SCALE)

SITE PLAN:



NOTES:

1. ALL LEVELS SHOWN ARE IN METRES.
2. INFORMATION SHOWN HEREON ARE CORRECT AT TIME OF SURVEY.
3. BOUNDARIES SHOWN HEREON ARE PROVISIONAL AND SUBJECT TO ALTERNATION ON FINAL SURVEY.
4. ALL LEVELS ARE SHOWN IN PRECISE LEVELLING DATUM PLUS 100M BASED ON SUREY DEPARTMENT'S BENCH MARK NO. BM6508 (RL=233.92M) AT YIO CHU KANG RD / PHILLIPS AVE.
5. HORIZONTAL CONTROLS ARE BASED ON SVZ1 DATUM.

LEGEND :

- IRON GRATING
- MANHOLE (SEW)
- FENCE
- MANHOLE (TEL)
- RAILINGS
- RETAINING WALL

PROJECT TITLE:

SPOT LEVEL, SETTING OUT & CADASTRAL SURVEY
AT MK22-3199T GLASGOW ROAD (JANSEN ROAD)
CONTRACT F

DRAWING TITLE:

SPOT LEVEL SURVEY PLAN

SURVEYOR :

YJP SURVEYORS PTE LTD
10 GENTING ROAD
#05-00 THE BLUE BUILDING
SINGAPORE 349473
TEL: 6743 0938 FAX: 6743 6732
Email: kimsoo@jyberway.com.sg



DRAWING NO. :

LS/0508/072/SP/01

SCALE :

1 : 250

DRAWN BY :

YING WEN

CHECKED BY :

LOH

SURVEYED BY :

TAN

DATE OF SURVEY :

JUNE 2008

ANDREW YAP CHEE MING
Registered Surveyor (Singapore)
HO/716 Category A Hydrographer
Msc. Hydrography (UK)
Bsc (Hons) Surveying and Mapping Sciences (UK)

N.38175m
E.32700m